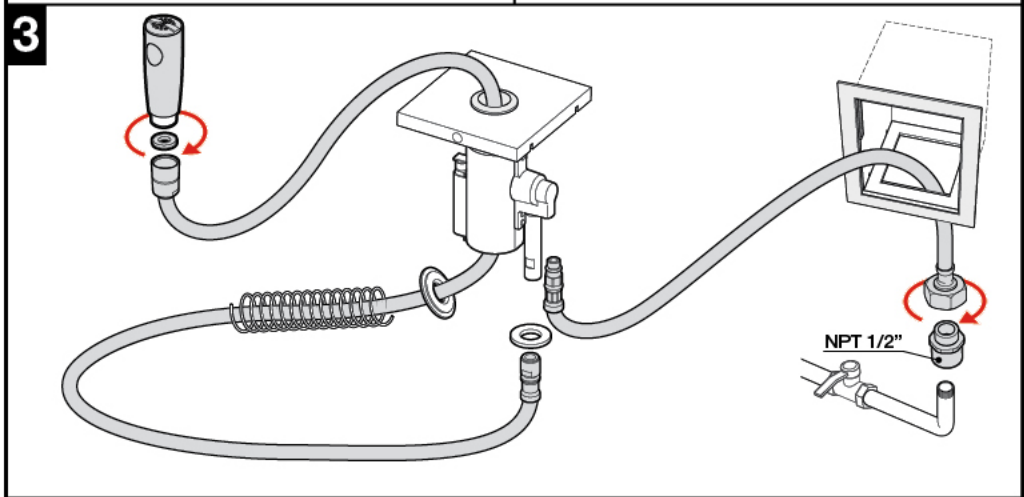
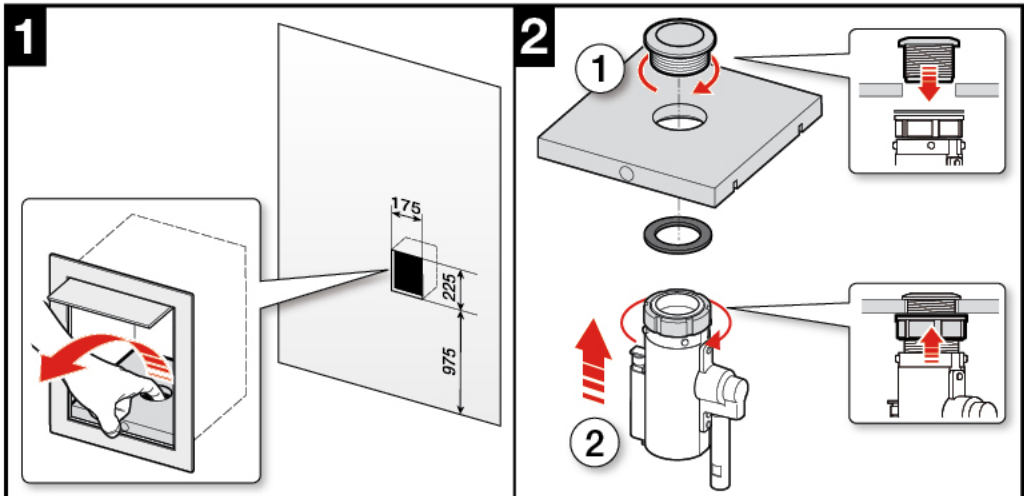
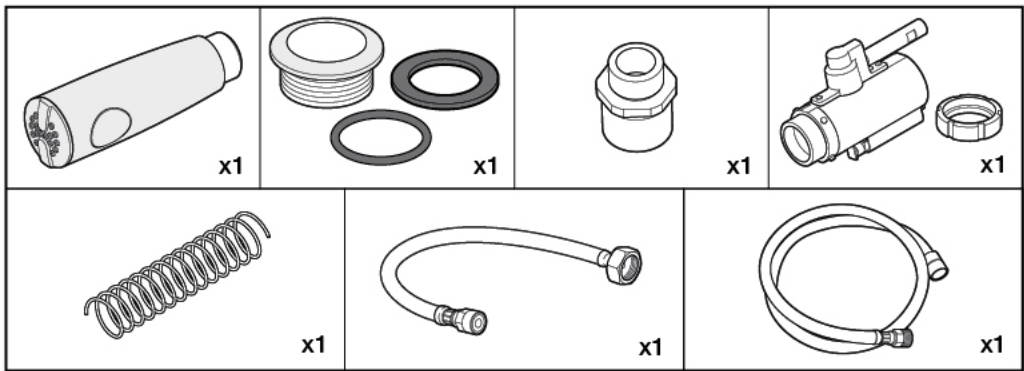


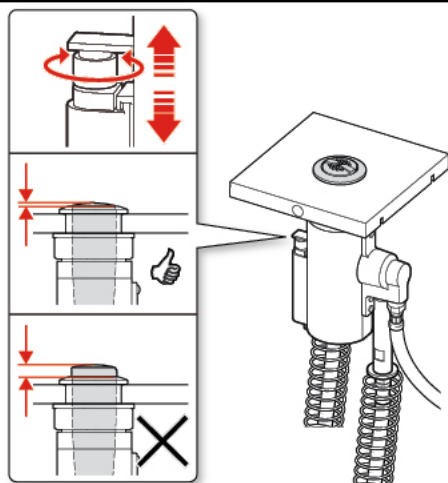
ARMANI / **Roca**

A5A6776..0

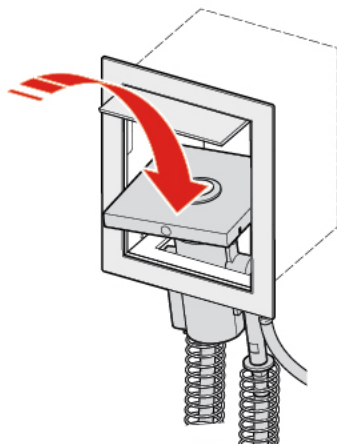




5



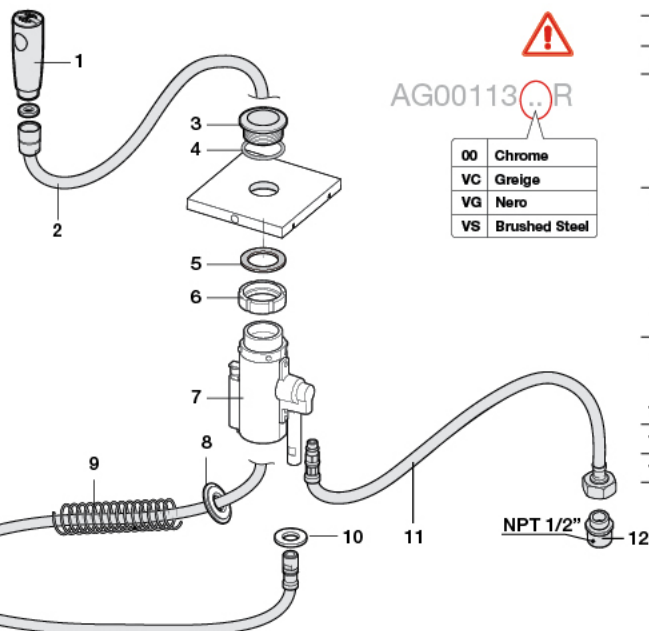
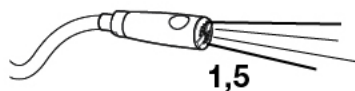
6



P

P
barQ
(3 bar)

l/min



AG00113...R

00	Chrome
VC	Grelge
VG	Nero
VS	Brushed Steel

1	AG01076..R
2	AG01081..R
3	
4	AG00359..R
5	
6	
3	
4	
5	AG01082.R
6	
7	
8	
9	AG0108303R
10	
11	AG0008009R
12	AG0107103R (USA)

